

A range of bags developed by MOBILIS for everyday bicycle users.

Large volumes, safety & visibility features and water resistance: these bags are designed to accompany you on all your trips. Universal and adaptable, they can be quickly and easily attached to all bikes.



### DOUBLE BIKE PANNIER BAG - 2x15L

CAPACITY 2x15L

Ref. 070002

INSTALLATION INSTRUCTIONS  
LAST PAGE



**2 COMPARTMENTS  
OF 15L**

**RAIN FLAPS  
ON THE SIDES**

**WATER-REPELLENT  
MATERIAL**



**REFLECTIVE  
ELEMENTS**



### PLUS-PRODUCTS

#### Rain flaps on the sides

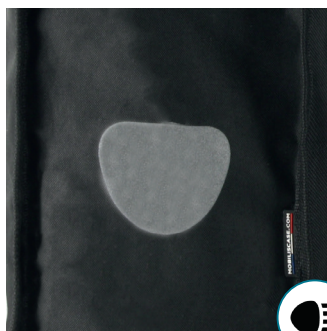


Prevents rain from running into the compartment

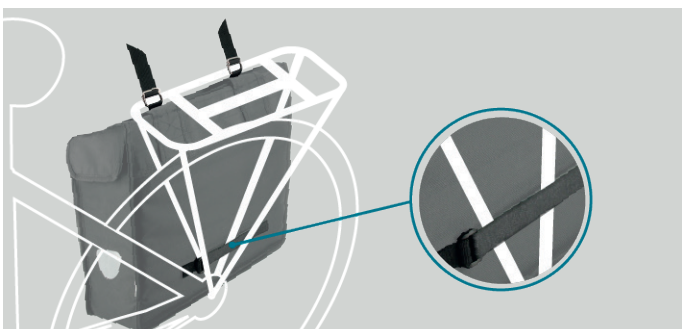
#### Water-repellent material



#### Reflective elements



#### Fixing with safety strap and anti-tilt strap



### SPECIFICATIONS

Ref	Product designation	EAN code	
070002	Bike Double Pannier Bag 2x15L 14-15"- Black	3700992528021	
Weight	Interior dimensions	Exterior dimensions	PCB quantity
860 g with pack 862 g	350 x 330 x 130 mm	365 x 400 x 260 mm	10



**NOTICE D'INSTALLATION - SACOCHE DOUBLE VÉLO - 2x15L**  
**INSTRUCTIONS FOR USE - DOUBLE BIKE PANNIER BAG - 2x15L**



**1** **PLACEZ LA SACOCHE SUR VOTRE PORTE-BAGAGES**  
**PLACE THE BAG ON YOUR LUGGAGE RACK**



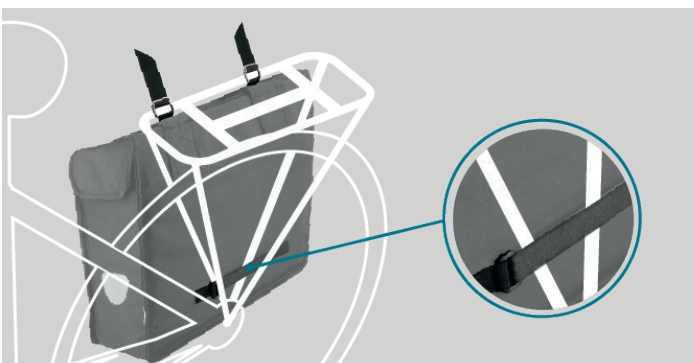
**2** **SOULEVEZ UN COMPARTIMENT**  
**LIFT A COMPARTMENT**



**3** **PASSEZ CHAQUE SANGLE DANS LE PORTE-BAGAGES (RÉPÉTEZ 4 FOIS)**  
**PASS EACH STRAP THROUGH THE LUGGAGE RACK (REPEAT 4 TIMES)**



**4** **VOUS POUVEZ ACCROCHER UNE BOUCLE VELCRO AU BAS DU PORTE-BAGAGES**  
**YOU CAN ATTACH A VELCRO LOOP TO THE BOTTOM OF THE LUGGAGE RACK**



Sécurisation et anti-basculement  
Safety and anti-tilt